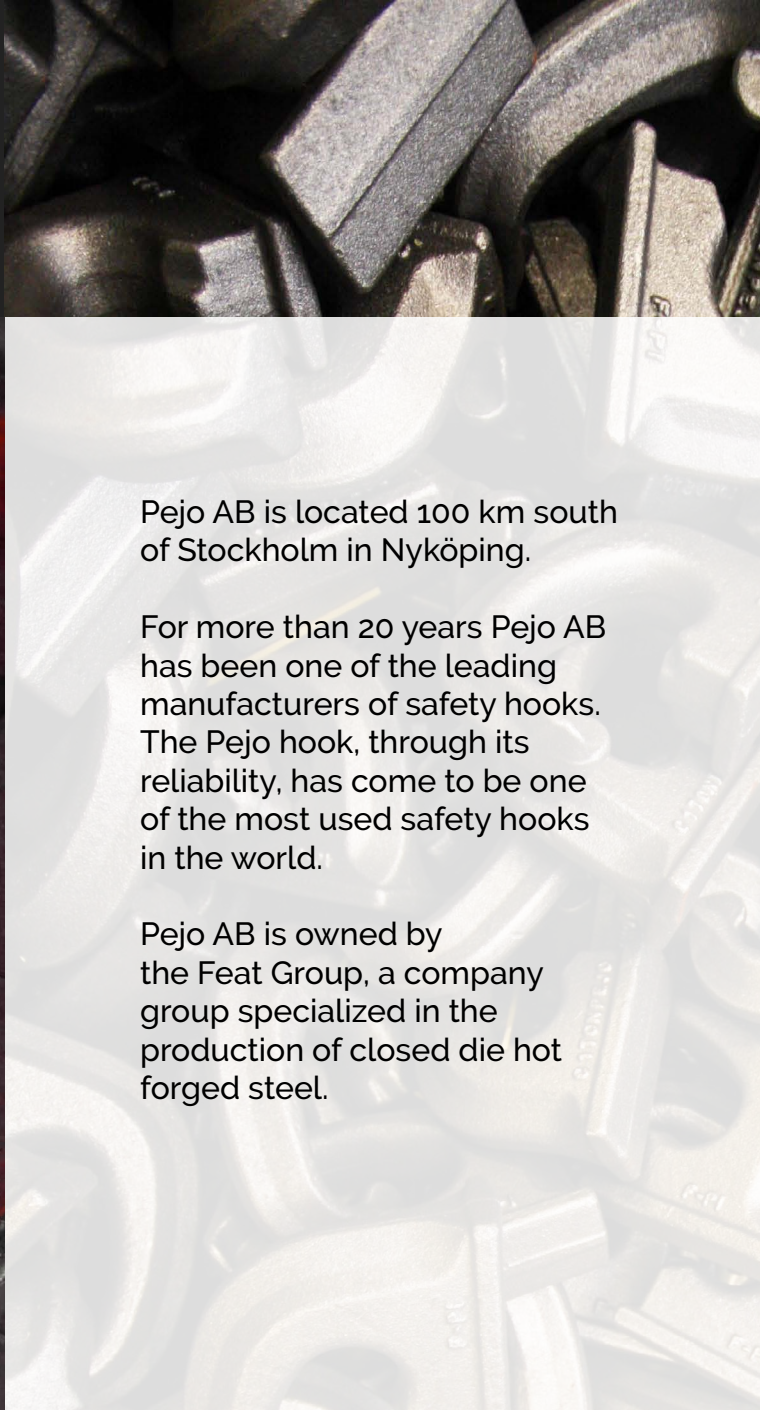


Forged for reliability

The Pejo Safety Hook is one of
the most used safety hooks in the world.



Pejo AB is located 100 km south
of Stockholm in Nyköping.

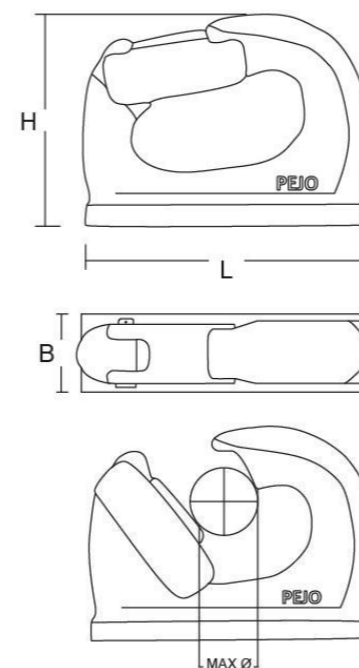
For more than 20 years Pejo AB
has been one of the leading
manufacturers of safety hooks.
The Pejo hook, through its
reliability, has come to be one
of the most used safety hooks
in the world.

Pejo AB is owned by
the Feat Group, a company
group specialized in the
production of closed die hot
forged steel.



Safety Hook Type C

Type C Order No	Ton Max load	L mm	L1 mm	H mm	B mm	∅ mm	Throat mm	Weight Hook, kg
C201	1,0	105	67	76	30	21	4	0,80
C202	2,0	130	83	93	35	25	4	1,25
C203	3,0	133	84	100	35	25	6	1,40
C204	4,0	177	110	125	42	38	6	2,85
C205	5,0	185	113	133	44	40	6	3,30
C206	6,0	198	120	141	50	40	6	3,60
C208	8,0	250	150	170	60	45	8	7,25
C210	10,0	255	160	175	70	50	8	7,35
C215	18,0	290	170	190	80	50	10	11,5



The Pejo Safety Hook comes in 2 models and 16 sizes



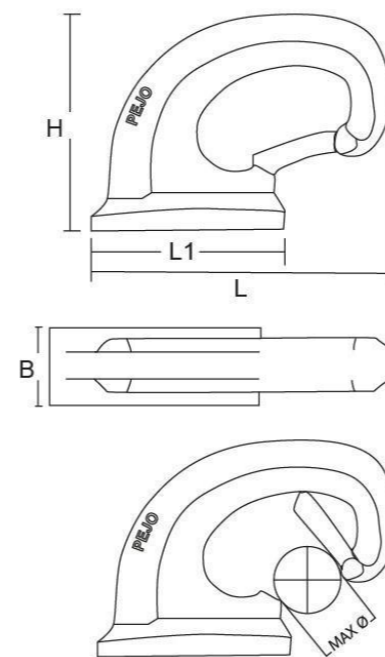
Safety Hook Type C

The Pejo Safety Hook type C is mainly recommended for large excavators but is also suitable for heavy lifts within the industrial sector. All our hooks hold a 4-fold safety in both pulling directions.



Safety Hook Type U

Type U Order No	Ton Max load	L mm	H mm	B mm	∅ mm	Throat mm	Weight Hook, kg
U200	0,5	95	63	23	20	4	0,50
U201	1,0	105	75	25	23	4	0,65
U202	2,0	123	86	30	28	4	1,05
U203	3,0	145	101	35	31	6	2,00
U204	4,0	152	107	35	31	6	2,10
U206	6,0	205	127	40	43	8	3,70
U208	8,0	216	139	50	43	8	5,35



All our hooks hold a 4-fold safety in both pulling directions.



Safety Hook Type U

The Pejo Safety Hook type U is recommended for smaller excavators, wheel loaders and front loaders. All our hooks hold a 4-fold safety in both pulling directions.

